



Electrolux
PROFESSIONAL

**Modular Cooking Range Line
thermaline 90 - 800 mm Electric
Warming Cabinet with 1 door, GN
conform, 1 Side (H2) - H=450**

ITEM # _____

MODEL # _____

NAME # _____

SIS # _____

AIA # _____



589481 (MC4HCAHOAO)

Electric warming cabinet,
with 2 doors, one-side
operated, GN - H2

Short Form Specification

Item No. _____

800 mm wide warming cabinet with 2 doors, constructed according to DIN 18860_2 with 70 mm recessed plinth. Internal frame for heavy duty sturdiness in 2 mm and 3 mm in 1.4301 (AISI 304). 2 mm top in 1.4301 (AISI 304). Flat surface construction, easily cleanable. THERMODUL connection system enables seamless worktop when units are connected and avoids soil penetrating. Temperature in the cabinet can be set through thermostat, up to a maximum of 110 °C. Cabinet storage space accepts GN 1/1 containers.

IPX5 water resistant certification.

Configuration: One-side operated freestanding base, hygienic class H2.

Main Features

- All major components may be easily accessed from the front.
- THERMODUL connection system creates a seamless work top when units are connected to each other thus avoiding soil penetrating vital components and facilitating the removal of units in case of replacement or service.
- Unit constructed according to DIN 18860_2 with 70 mm recessed plinth.
- Temperature in the cupboard can be set through a thermostat to suit different requirements. The maximum temperature is 110°C.
- The smooth glass-ceramic surface can be quickly and easily cleaned, thus providing maximum hygiene.
- Unit can be installed below modular top appliances, designed to keep plates warm.

Construction

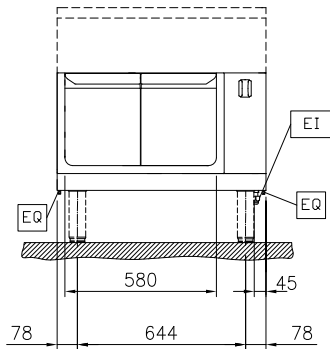
- IPX5 water resistance certification.
- 2 mm top in 1.4301 (AISI 304).
- Flat surface construction with minimal hidden areas to easily clean all surfaces
- Storage space in the base of the appliance accepts GN1/1 containers.
- Internal frame for heavy duty sturdiness in stainless steel.

APPROVAL: _____

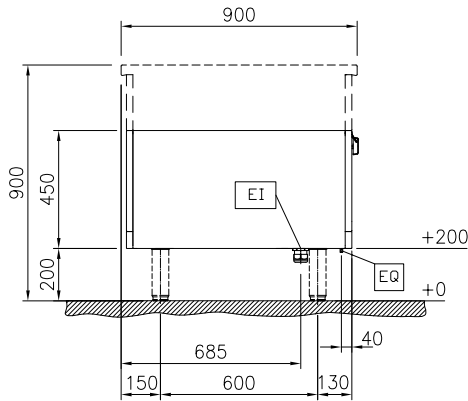


Experience the Excellence
www.electroluxprofessional.com
ELUX_EMAIL

Front

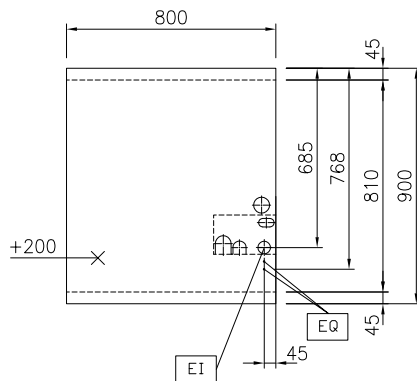


Side



EI = Electrical inlet (power)

Top


Key Information:

External dimensions, Width:	
589481 (MC4HCAHOAO)	800 mm
External dimensions, Depth:	900 mm
External dimensions, Height:	450 mm
Cupboard Cavity Dimensions (width):	580 mm
Cupboard Cavity Dimensions (height):	330 mm
Cupboard Cavity Dimensions (depth):	715 mm
Cabinet temperature range:	30-110 °C
Net weight:	30 kg

Sustainability

Current consumption:	5 Amps
----------------------	--------

Optional Accessories

- Stainless steel side panel, 900x700mm, freestanding PNC 912512
- Stainless steel front kicking strip, 800mm width PNC 912634
- Stainless steel side kicking strip left and right, freestanding, 900mm width PNC 912657
- Stainless steel side kicking strip left and right, wall mounted, 900mm width PNC 912660
- Stainless steel side kicking strip left and right, back-to-back, 1800mm width PNC 912663
- Stainless steel plinth, against wall, 800mm width PNC 912939
- Stainless steel plinth, freestanding, 800mm width PNC 912958
- Stainless steel panel, 900x700mm, against wall, left side PNC 913101
- Stainless steel panel, 900x700mm, against wall, right side PNC 913105
- Back panel, 800x450mm, for bases and units, one-side operated PNC 913167
- - NOT TRANSLATED - PNC 913222
- - NOT TRANSLATED - PNC 913223
- - NOT TRANSLATED - PNC 913234
- - NOT TRANSLATED - PNC 913244
- - NOT TRANSLATED - PNC 913260
- - NOT TRANSLATED - PNC 913267
- - NOT TRANSLATED - PNC 913269
- - NOT TRANSLATED - PNC 913275
- - NOT TRANSLATED - PNC 913276
- - NOT TRANSLATED - PNC 913281
- STAINLESS STEEL DIVIDING PANEL 900X700MM LEFT/RIGHT PNC 913672
- STAINLESS STEEL SIDE COVER PANEL, FLUSH 900X700MM LEFT/RIGHT PNC 913688